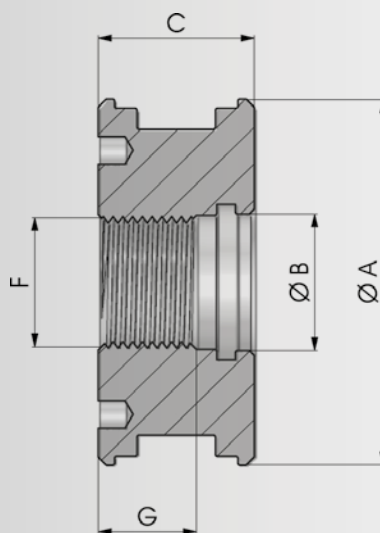


> 200 bar

> **Materiale di produzione:**  
Acciaio 11SMn30 - C45

> **Production material:**  
Steel 11SMn30 - 080M46



COD.	A	B	C	F	G
NBPBF0040M16	40	17	27	M16X1.5	19
NBPBF0050M20	50	21	30	M20X1.5	21
NBPBF0060M24	60	25	35	M24X2	24
NBPBF0063M24	63	25	35	M24X2	24
NBPBF0065M24	65	25	35	M24X2	24
NBPBF0070M24	70	25	35	M24X2	24
▶ NBPBF0075M27	75	28	40	M27X2	26
NBPBF0080M27	80	28	40	M27X2	26
NBPBF0090M33	90	35	40	M33X2	26
NBPBF0100M33	100	35	40	M33X2	26

▶ a richiesta su lotto minimo / on request on a minimum batch