

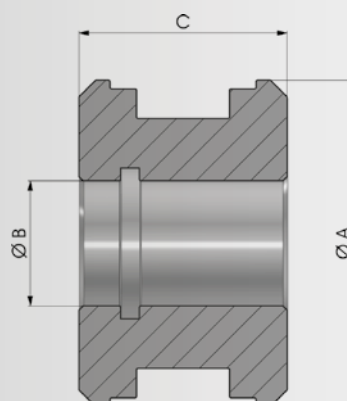
> 250 bar

> Materiale di produzione:

Acciaio 11SMn30 - C45

> Production material :

Steel 11SMn30 - 080M46



COD.	A	B	C
NBP000030013	30	13	25
NBP000032013	32	13	30
NBP000032015	32	15	30
NBP000035015	35	15	40
NBP000040015	40	15	40
NBP000045015	45	15	40
NBP000050015	50	15	40
NBP000050020	50	20	40
NBP000050025	50	25	40
NBP000055020	55	20	40
NBP000060020	60	20	50
NBP000060020H40	60	20	40
NBP000060024	60	24	45
NBP000060024H40	60	24	40
NBP000060024H50	60	24	50
NBP000060027	60	27	50
NBP000060027H40	60	27	40
NBP000063020	63	20	50
NBP000063020H40	63	20	40
NBP000063024	63	24	45
NBP000063024H40	63	24	40
NBP000063024H50	63	24	50
NBP000063027	63	27	50
NBP000065020	65	20	50
NBP000065020H40	65	20	40
NBP000065020H40	65	20	40

► a richiesta su lotto minimo / on request on a minimum batch

COD.	A	B	C
NBP000065024	65	24	45
NBP000065024H40	65	24	40
▶ NBP000065024H50	65	24	50
NBP000065027	65	27	50
▶ NBP000065027H40	65	27	40
NBP000070020	70	20	50
NBP000070024	70	24	45
NBP000070024H50	70	24	50
NBP000070027	70	27	50
NBP000075024	75	24	45
▶ NBP000075024H50	75	24	50
NBP000075027	75	27	50
NBP000080024	80	24	45
▶ NBP000080024H50	80	24	50
NBP000080027	80	27	50
NBP000080030	80	30	50
NBP000085024	85	24	45
▶ NBP000085024H50	85	24	50
NBP000085027	85	27	50
NBP000090027	90	27	50
NBP000090033	90	33	50
NBP000100027	100	27	50
NBP000100033	100	33	50
NBP000110033	110	33	50
NBP000110040	110	40	50
NBP000120040	120	40	50
NBP000125040	125	40	50
NBP000130040	130	40	50
NBP000140040	140	40	58
NBP000150040	150	40	58
NBP000160051	160	51	58

▶ a richiesta su lotto minimo / on request on a minimum batch