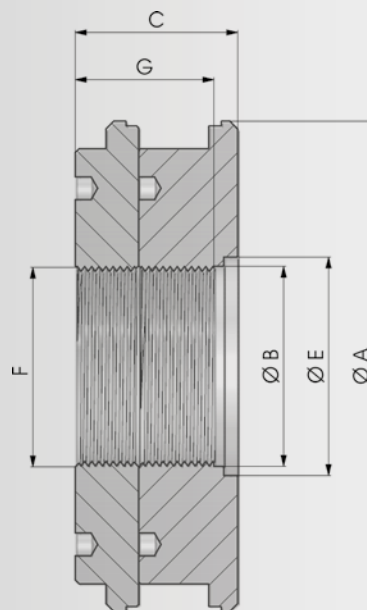


> 300 bar

> **Materiale di produzione:**
Acciaio 11SMn30 - C45

> **Production material :**
Steel 11SMn30 - 080M46



COD.	A	B	Cv	E	F	G
NBP000180070	180	72.1	82	77.6	M70X2	70
NBP000180080	180	82.1	82	91.4	M80X2	70
NBP000200070	200	72.1	82	77.6	M70X2	70
NBP000200080	200	82.1	82	91.4	M80X2	70
NBP000220098	220	101.1	82	110.4	M98X2	70
NBP000250098	250	101.1	82	110.4	M98X2	70