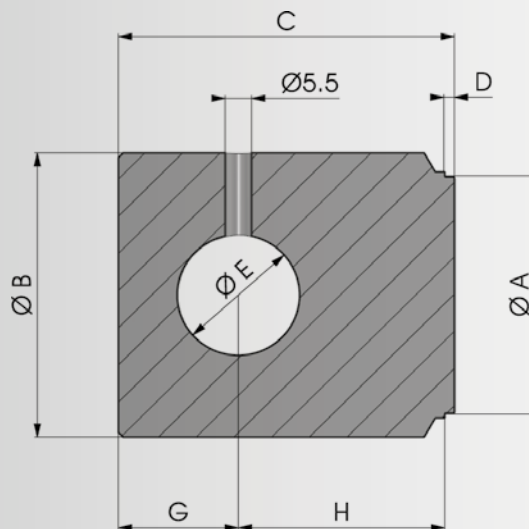


> **Materiale di produzione:**  
Acciaio S355JR

> **Production material :**  
Steel S355JR



COD.	A	B	C	D	E	F	G	Kg
NBFFL0035025	25	35	30	2	12.1	12	16	0,17
NBFFL0040032	32	40	40	2	16	17	21	0,31
NBFFL0050040	40	50	49	2	20.5	19	28	0,59
NBFFL005004040	40	50	40	2	20.25	18	20	0,49
NBFFL0060050	50	60	70	2	25.5	25	43	1,26
NBFFL006005049	50	60	49	2	25.25	22	25	0,79
NBFFL0070060	60	70	52	2	25.5	25	25	1,23
NBFFL007006047	60	70	47	2	25.25	22	23	1,08
NBFFL0080070	70	80	62	2	30.5	25	35	1,91
NBFFL008007063	70	80	63	2	30.25	28	33	1,97
▶ NBFFL0090080	80	90	62	2	30.5	25	35	2,49
NBFFL009008060	80	90	60	2	30.25	28	30	2,38
▶ NBFFL0115100	100	115	70	2	30.5	34	34	4,89
NBFFL011510063	100	115	63	2	30.25	28	33	4,36

▶ a richiesta su lotto minimo / on request on a minimum batch