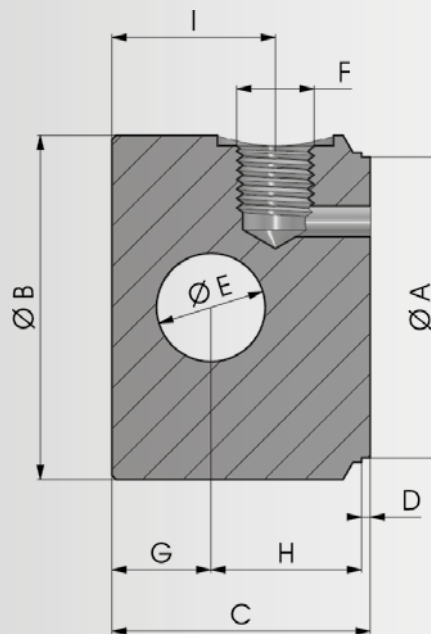


**> Materiale di produzione:**

Acciaio inox AISI 316L

**> Production material :**

AISI 316 L-type stainless steel



| COD.           | A   | B   | C  | D | E     | F    | G  | H  | I  | Kg   |
|----------------|-----|-----|----|---|-------|------|----|----|----|------|
| ▶ NBFFEI400500 | 40  | 50  | 50 | 2 | 16.2  | 1/4" | 15 | 33 | 30 | 0,64 |
| ▶ NBFFEI500600 | 50  | 60  | 60 | 2 | 20.25 | 3/8" | 20 | 38 | 38 | 1,10 |
| ▶ NBFFEI600700 | 60  | 70  | 60 | 2 | 25.25 | 3/8" | 23 | 35 | 38 | 1,42 |
| ▶ NBFFEI700800 | 70  | 80  | 60 | 2 | 25.25 | 3/8" | 23 | 35 | 38 | 1,95 |
| ▶ NBFFEI800950 | 80  | 95  | 75 | 2 | 30.25 | 3/8" | 25 | 48 | 47 | 3,50 |
| ▶ NBFFEI901050 | 90  | 105 | 75 | 2 | 30.25 | 3/8" | 25 | 48 | 47 | 4,38 |
| ▶ NBFFEI100115 | 100 | 115 | 75 | 2 | 35.25 | 1/2" | 30 | 43 | 47 | 5,05 |

▶ a richiesta su lotto minimo / on request on a minimum batch