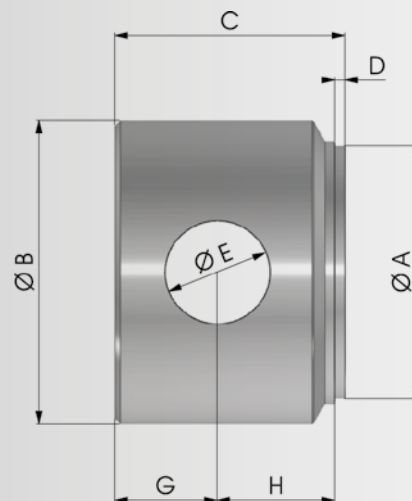


> **Materiale di produzione:**
Acciaio S355JR

> **Production material :**
Steel S355JR



| COD. | A | B | C | D | E | G | H | Kg |
|----------------|-----|-----|----|---|-------|------|------|------|
| NBFF04005016 | 40 | 50 | 35 | 2 | 16.2 | 15 | 18 | 0,43 |
| NBFF05006020 | 50 | 60 | 45 | 2 | 20.25 | 20 | 23 | 0,81 |
| NBFF06007025 | 60 | 70 | 50 | 2 | 25.25 | 22.5 | 25.5 | 1,18 |
| ▶ NBFF06307325 | 63 | 73 | 50 | 2 | 25.25 | 22.5 | 25.5 | 1,31 |
| NBFF06307525 | 63 | 75 | 50 | 2 | 25.25 | 22.5 | 25.5 | 1,37 |
| NBFF07008025 | 70 | 80 | 50 | 2 | 25.25 | 22.5 | 25.5 | 1,59 |
| ▶ NBFF08009030 | 80 | 90 | 60 | 2 | 30.25 | 25 | 33 | 2,37 |
| NBFF08009530 | 80 | 95 | 60 | 2 | 30.25 | 25 | 33 | 2,68 |
| ▶ NBFF10011535 | 100 | 115 | 70 | 2 | 35.25 | 30 | 38 | 4,67 |

▶ a richiesta su lotto minimo / on request on a minimum batch