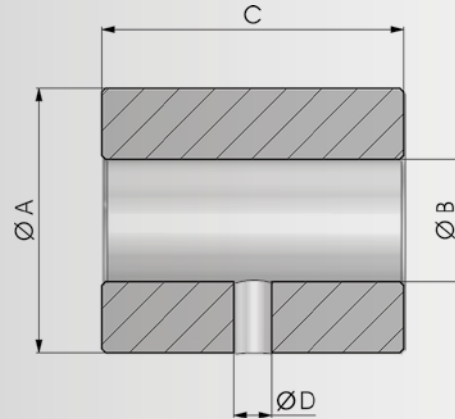


> **Materiale di produzione:**  
Acciaio S355JR

> **Production material :**  
Steel S355JR



COD.	A	B	C	D	Kg
NBBSF12025025	25	12.10	25	55	0,07
NBBSF16030035	30	16.25	35	55	0,13
NBBSF20035040	35	20.25	40	55	0,19
NBBSF20040040	40	20.25	40	55	0,28
NBBSF25040045	40	25.25	45	55	0,26
NBBSF25050045	50	25.25	45	55	0,50
NBBSF30050055	50	30.25	55	55	0,52
NBBSF30060070	60	30.25	70	55	1,15
▶ NBBSF30065070	65	30.25	70	55	1,41
▶ NBBSF35065060	65	35.50	60	55	1,08
▶ NBBSF35065120	65	35.50	120	55	2,17
▶ NBBSF40070070	70	40.25	70	55	1,37
▶ NBBSF50085080	85	50.50	80	55	2,25
▶ NBBSF50085140	85	50.50	140	55	3,94
▶ NBBSF60100090	100	60.5	90	55	3,47
▶ NBBSF60100150	100	60.5	150	55	5,81

▶ a richiesta su lotto minimo / on request on a minimum lot