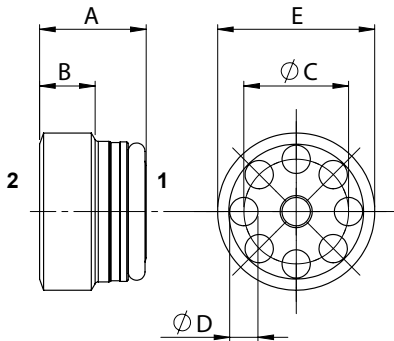
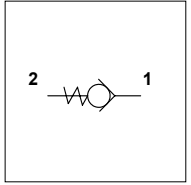


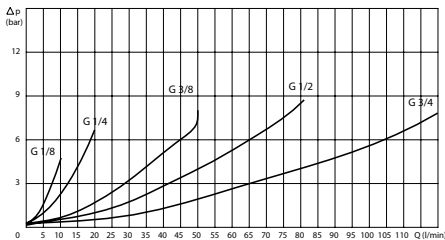
WUC IS

TECHNICAL DATA

- **Flow:** See table
- **Max working pressure:** 350 bar
- **Cracking pressure:** 0,5 bar
- **Materials:** Cartridge in Steel Zinc Plated
- **Version:** Poppet Type - Direct Acting
- **Cavity:** See table
- **Installation torque:** See table
- **Weight:** See table



PRESSURE DROP CURVES



PORTS					
E	1/8	1/4	3/8	1/2	3/4
DIMENSIONS					
A	7,5	8,5	11,3	12,7	14,8
B	3,5	4,4	6	6,5	7,6
C	5,6	8,4	11,1	13,5	16,5
D	1,6	2,2	3	3,8	5
Max Flow (l/min)	10	20	50	80	120
Cavity	FW1802101	FW1402101	FW3802101	FW1202101	FW3402101
Install. Torque (N/m)	6	15	30	30	50
Weight (kg)	0,002	0,005	0,011	0,019	0,040

ORDERING CODE

WUC

IS

Ports Size:

- 1/8
- 1/4
- 3/8
- 1/2
- 3/4