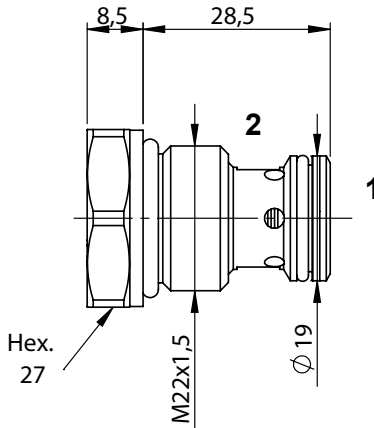
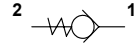


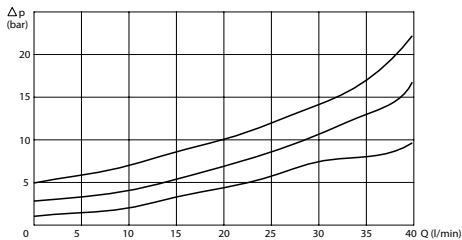
WUC C 40 M22

TECHNICAL DATA

- **Flow:** 40 l/min
- **Max working pressure:** 420 bar
- **Materials:** Cartridge in Steel Zinc Plated
- **Version:** Poppet Type
- **Cavity:** FW22000211
- **Installation torque:** 30-35 Nm
- **Weight:** 0,090 kg



PRESSURE DROP CURVES



SPRINGS

Code	Cracking pressure bar
Standard	1
2,5	2,5
5	5

ORDERING CODE

WUC

C

40

M22



Opening Pressure:

- Omit if 1 bar
- 2,5 = 2,5 bar
- 5 = 5 bar