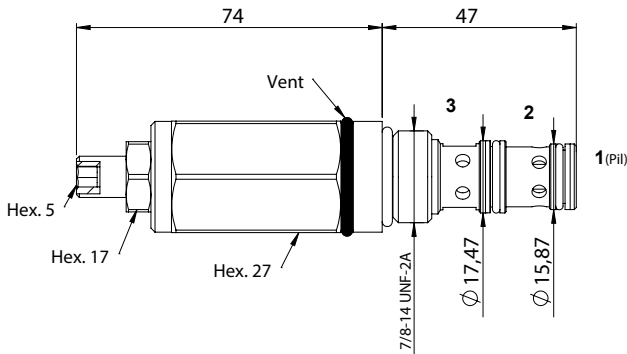
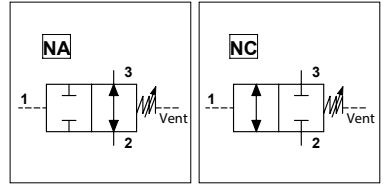



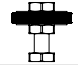
WSD C 30 S10

TECHNICAL DATA

- **Flow:** 30 l/min
- **Max setting pressure:** 120 bar
- **Max working pressure:** 350 bar
- **Materials:** Cartridge in Steel zinc plated
- **Version:** Direct Acting, fully compensated
- **Cavity:** FW7803000
- **Installation torque:** 40-45 Nm
- **Weight:** 0,320 kg



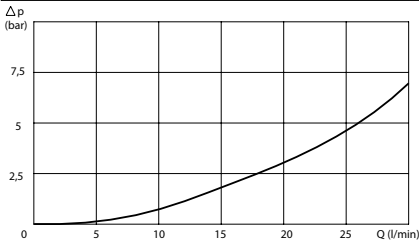
REGULATOR

(S) Screw	
(V) Handknob	

SPRINGS

Code	Adjustable pressure range bar	Standard setting bar
02	5-50	15
06	20-85	30
12	50-120	60

PRESSURE DROP CURVES



ORDERING CODE

WSD

C

30

S10

Type of Scheme:

- NA = Open
- NC = Close

Type of Regulator:

- S = Screw
- V = Handknob

Springs:

- 02
- 06
- 12

Adjustment if Required:

- Omit if not required
- Value