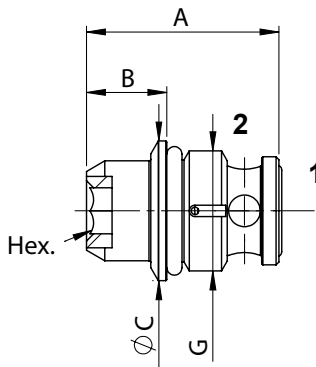
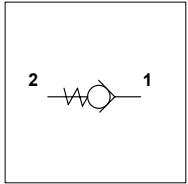


WRS

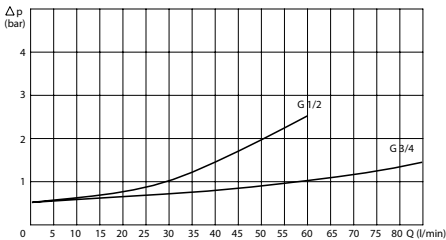
TECHNICAL DATA

- **Flow:** See table
- **Max working pressure:** 350 bar
- **Cracking pressure:** 0,5 bar
- **Materials:** Cartridge in Steel Zinc Plated
- **Version:** BallType - Direct Acting
- **Cavity:** See table
- **Installation torque:** See table
- **Weight:** See table
- **Note:** Valve supplied with single components



PORTS		
G	1/2	3/4
DIMENSIONS		
A	33,5	45,5
B	14	14
C	24,5	31
Hex.	8	10
Max Flow (l/min)	60	90
Cavity	FW12000210	FW34000210
Install. Torque (N/m)	10	20
Weight (kg)	0,055	0,110

PRESSURE DROP CURVES



ORDERING CODE

WRS

Ports Size:

- 1/2
- 3/4