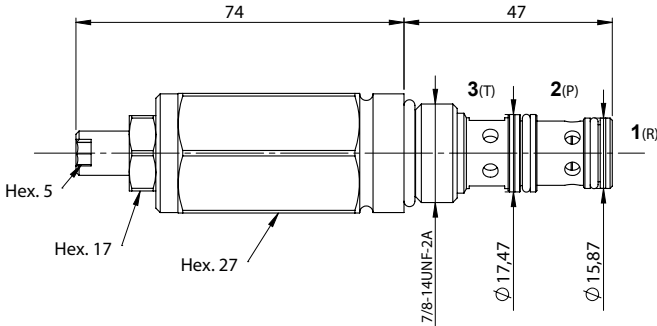
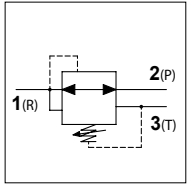


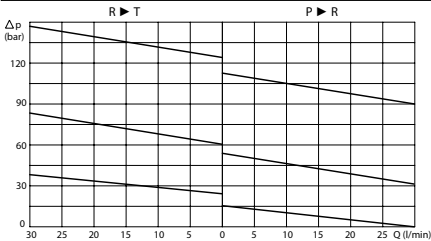
WRP 30 S10

TECHNICAL DATA


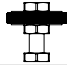
- **Flow:** 30 l/min
- **Max setting pressure:** 180 bar
- **Max working pressure:** 350 bar
- **Max differential:** 210 bar between R and P
- **Materials:** Cartridge in Steel Zinc Plated
- **Version:** Direct Acting
- **Cavity:** FW7803000
- **Installation torque:** 40-45 Nm
- **Note:** With Relief
- **Weight:** 0,310 kg



PRESSURE DROP CURVES



REGULATOR

(S) Screw	
(V) Handknob	

SPRINGS

Code	Adjustable pressure range bar	Standard setting bar
02	5-35	5
06	10-60	10
12	35-180	35

ORDERING CODE

WRP

30

S10

Type of Regulator:

- S = Screw
- V = Handknob

Springs:

- 02
- 06
- 12

Adjustment if Required:

- Omit if not required
- Value