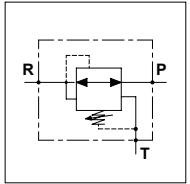
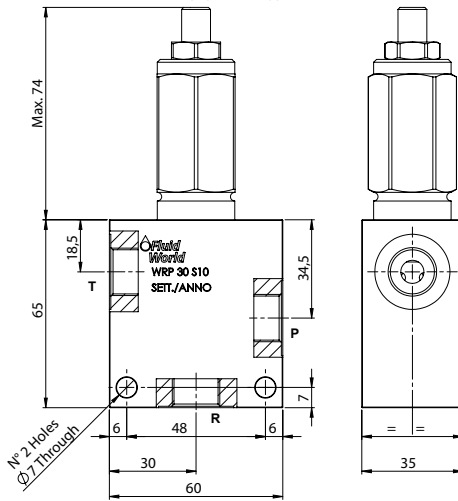


WRP 30 S10

TECHNICAL DATA

- **Flow:** 30 l/min
- **Max setting pressure:** 180 bar
- **Max working pressure:** 250 bar (350 bar)
- **Max differential:** 210 bar between R and P
- **Materials:** Aluminium Body (Steel Body if required)
- **Version:** Direct Acting
- **Note:** With Relief
- **Weight:** 0,650 kg (1,190kg)



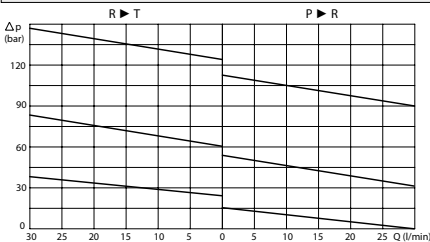
PORTS

P - T - R	3/8	1/2
-----------	-----	-----

REGULATOR

(S) Screw	
(V) Handknob	

PRESSURE DROP CURVES



SPRINGS

Code	Adjustable pressure range bar	Standard setting bar
02	5-35	5
06	10-60	10
12	35-180	35

ORDERING CODE

WRP

30

S10

Ports Size:

- 3/8
- 1/2

Material Body:

- Omit if aluminium
- S = Steel

Type of Regulator:

- S = Screw
- V = Handknob

Springs:

- 02
- 06
- 12

Adjustment if Required:

- Omit if not required
- Value