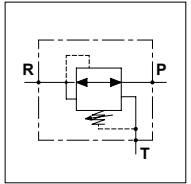
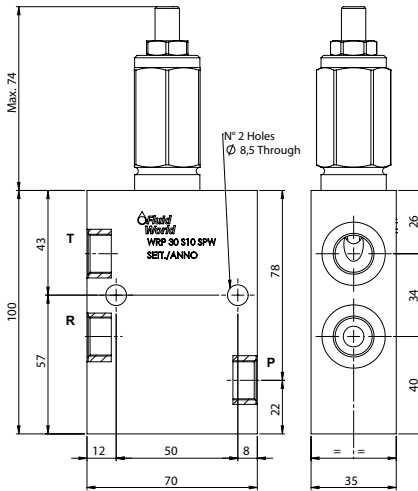


### WRP 30 S10 - SPW

#### TECHNICAL DATA

- **Flow:** 30 l/min
- **Max setting pressure:** 180 bar
- **Max working pressure:** 250 bar (350 bar)
- **Max differential:** 210 bar between R and P
- **Materials:** Aluminium Body (Steel Body if required)
- **Version:** Direct Acting
- **Note:** With Relief
- **Weight:** 0,930 kg (1,950 kg)



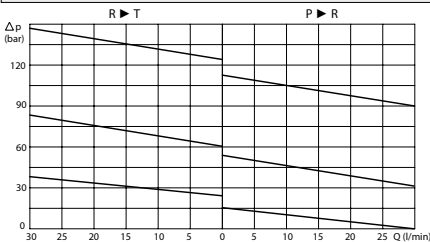
#### PORTS

P - T - R	3/8
-----------	-----

#### REGULATOR

(S) Screw	
(V) Handknob	

#### PRESSURE DROP CURVES



#### SPRINGS

Code	Adjustable pressure range bar	Standard setting bar
02	5-35	5
06	10-60	10
12	35-180	35

#### ORDERING CODE

WRP 30 S10 3/8         SPW

#### Material Body:

- Omit if aluminium
- S = Steel

#### Type of Regulator:

- S = Screw
- V = Handknob

#### Springs:

- 02
- 06
- 12

#### Adjustment if Required:

- Omit if not required
- Value