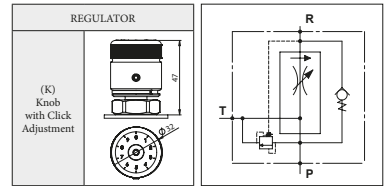


## WPR ET - VU/VM

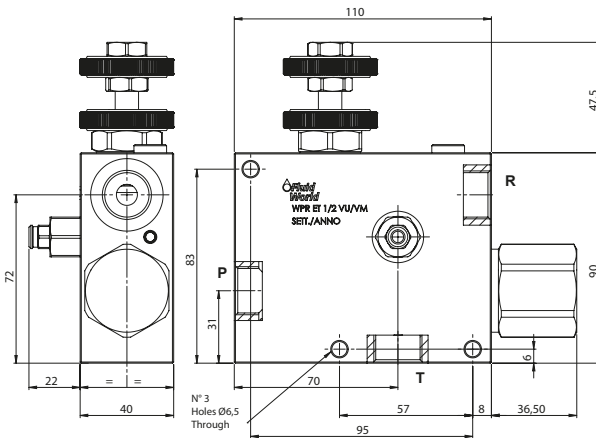
### TECHNICAL DATA

- Flow:** G 3/8: 50 l/min with 30 l/min in R  
G 1/2: 90 l/min with 50 l/min in R
- Max working pressure:** 250 bar (350 bar)
- Materials:** Aluminium Body (Steel body if required)
- Version:** Exceeding Flow to Tank
- Note:** Handwheel in Aluminium Black Anodized  
WMD 5 with Spring 25 (range 100-250)
- Optional RF:** Fine Adjustment Reduces the Range in R
- Weight:** 1,450 kg (2,950 kg)

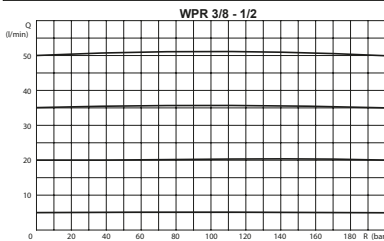


### PORTS

P - T - R	3/8	1/2



### COMPENSATION CURVES



### ORDERING CODE

WPR

ET

VU/VM

**Ports Size:**  
- 3/8  
- 1/2

**Material Body:**  
- Omit if aluminium  
- S = Steel

**Type of Setting:**  
- Omit if standard  
- RF = Fine Adjustment

**Type of Regulator:**  
- Omit if standard  
- K = Knob with click adjustment