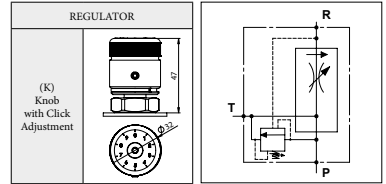
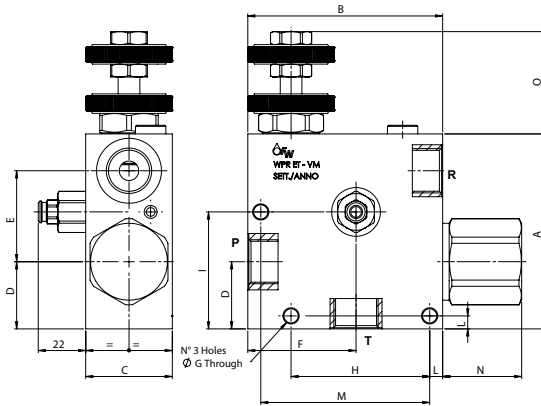


WPR ET - VM

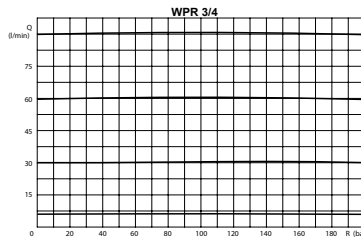
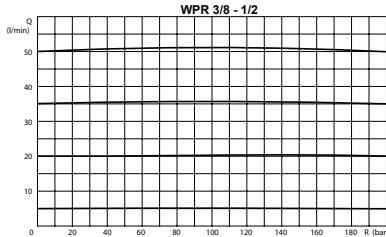
TECHNICAL DATA

- Flow:** G 3/8: 50 l/min with 30 l/min in R
G 1/2: 90 l/min with 50 l/min in R
G 3/4: 150 l/min with 90 l/min in R
- Max working pressure:** 250 bar (350 bar)
- Materials:** Aluminium Body (Steel body if required)
- Version:** Exceeding Flow to Tank
- Note:** Handwheel in Aluminium Black Anodized
WMD 5 with Spring 25 (range 100-250)
- Optional RF:** Fine Adjustment Reduces the Range in R
- Weight:** See table



PORTS			
P - R - T	3/8	1/2	3/4
DIMENSIONS			
A	90	90	110
B	90	90	110
C	40	40	50
D	31	31	35
E	42	42	50
F	50	50	66
G	6,5	6,5	8,5
H	64	64	88
I	54	54	63,5
L	6	6	8
M	78	78	94
N	36,5	36,5	36,5
O	47,5	47,5	49,5
Weight (Kg)	1,250	1,200	2,000

COMPENSATION CURVES



ORDERING CODE



Ports Size:

- 3/8
- 1/2
- 3/4

Material Body:

- Omit if aluminium
- S = Steel

Type of Setting

- (only for 3/8 and 1/2):** - Omit if standard
- RF = Fine Adjustment

Type of Regulator

- (only for 3/8 and 1/2):** - Omit if standard
- K = Knob with click adjustment