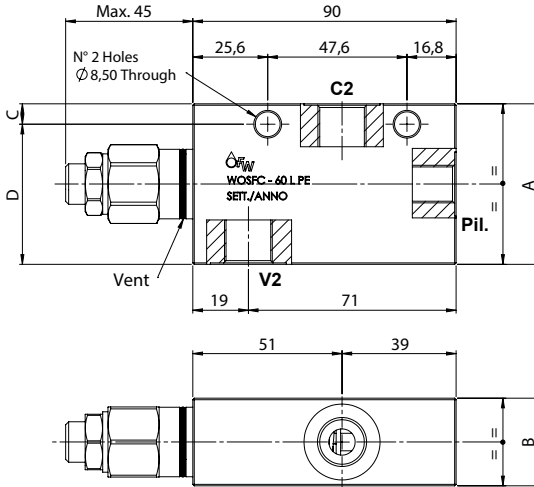
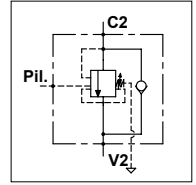


## WOSFC 60 - L PE

### TECHNICAL DATA

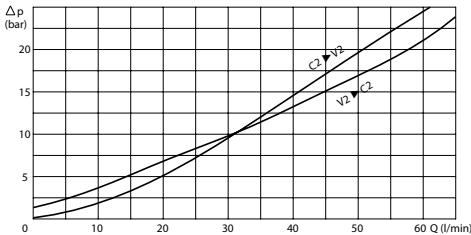
- Flow:** 60 l/min
- Max setting pressure:** 350 bar
- Materials:** Steel Body
- Pilot ratio:** 4:1 (if request 1:1; 8:1; 11:1)
- Weight:** See Table

- Note:** - Pressure setting must be 30 % higher that pressure induced by the load.
- Recommended for use with closed center spools.



PORTS		
C2 - V2	3/8	1/2
Pil.	1/4	1/4
	3/8	
DIMENSIONS		
A	55	65
B	30	35
C	7	11
D	48	54
Weight (kg)	1,150	1,550

### PRESSURE DROP CURVES



### SPRINGS

Code	20			35		
	Adjustable pressure range bar	Pressure increase bar/turn	Standard setting bar	Adjustable pressure range bar	Pressure increase bar/turn	Standard setting bar
1:1	10-70	15	10	30-200	25	30
4:1	60-210	70	170	80-350	120	280
8:1	60-220	50		100-350	85	
11:1	60-250	90		80-350	150	

### ORDERING CODE

WOSFC	60		L	PE					
<b>Ports Size:</b>			<b>Pilot Port:</b>			<b>Springs:</b>		<b>Pilot Ratio:</b>	<b>Adjustment if Required:</b>
- 3/8 - 1/2			- Omit if 1/4 - 3/8			- 20 - 35		- Omit if 4:1 - 8 = 8:1 - 11 = 11:1	- Omit if not required - Value