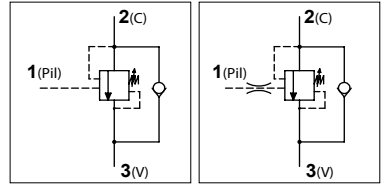


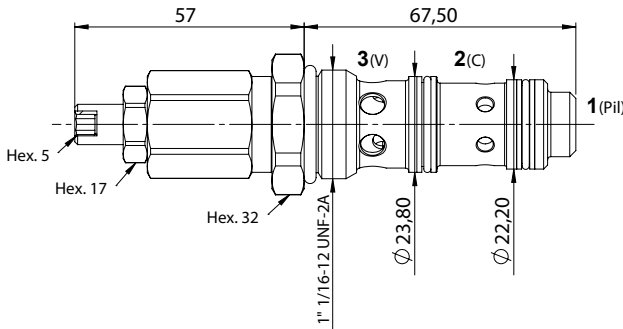
# WOC 60

## TECHNICAL DATA

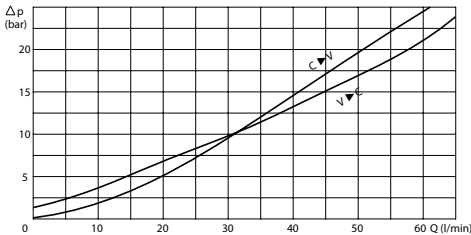
- **Flow:** 60 l/min
- **Max setting pressure:** 350 bar
- **Materials:** Cartridge in Steel zinc plated
- **Cavity:** FW11160302
- **Installation torque:** 60-65 Nm
- **Weight:** 0,280 kg
- **Note:** It's not SAE cavity



With orifice



## PRESSURE DROP CURVES



## SPRINGS

Code	20			35		
	Adjustable pressure range bar	Pressure increase bar/turn	Standard setting bar	Adjustable pressure range bar	Pressure increase bar/turn	Standard setting bar
1:1	10-70	15	10	30-200	25	30
4:1	60-210	70	170	80-350	120	280
8:1	60-220	50		100-350	85	
11:1	60-250	90		80-350	150	

## ORDERING CODE

WOC

60

**Springs:**

- 20
- 35

**Pilot Ratio:**

- Omit if 4:1
- 1 = 1:1
- 8 = 8:1
- 11 = 11:1

**Orefice if Required:**

- Omit if not required
- P05 = Orefice 0,5

**Adjustment if Required:**

- Omit if not required
- Value