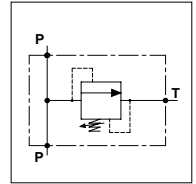
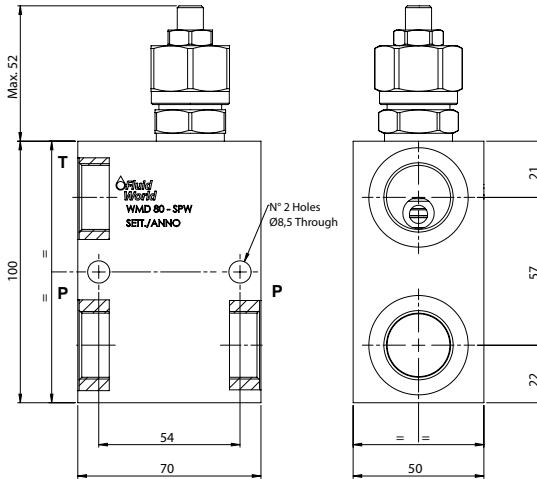


# WMD 80 - SPW

## TECHNICAL DATA

- **Flow:** 80 l/min
- **Max setting pressure:** 350 bar
- **Max working pressure:** 250 bar (350 bar)
- **Materials:** Aluminium Body (Steel Body if required)
- **Version:** Poppet Type - Direct Acting
- **Weight:** 1,100 kg (2,470 kg)



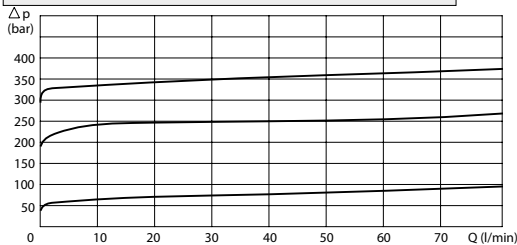
## PORTS

P - T	3/4
-------	-----

## REGULATOR

(S) Screw	
(V) Handknob	
OPTION	
(X) Tamper Proof Cap	

## PRESSURE DROP CURVES



## SPRINGS

Code	Adjustable pressure range bar	Pressure increase bar/turn	Standard setting bar
05	5-55	5	5
10	25-250	12	25
25	130-350	30	130

## ORDERING CODE

WMD	80	3/4					SPW
-----	----	-----	--	--	--	--	-----

- Material Body:**  
- Omit if aluminium  
- S = Steel
- Type of Regulator:**  
- S = Screw  
- V = Handknob
- Springs:**  
- 05  
- 10  
- 25
- Adjustment if Required:**  
- Omit if not required  
- Value  
- Value with X