

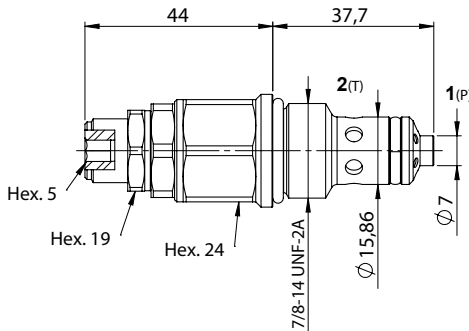
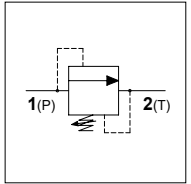
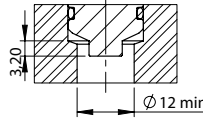
WMD 50

TECHNICAL DATA

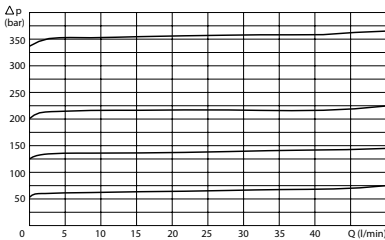
- **Flow:** 50 l/min
- **Max setting pressure:** 350 bar
- **Materials:** Cartridge in Steel Zinc Plated
- **Version:** Poppet Type - Direct Acting
- **Cavity:** See table
- **Installation torque:** 40-45 Nm
- **Weight:** 0,170 kg

CAVITY

FW7802000 with the addition of a minimum hole of $\varnothing 12$ to house the valve nose.



PRESSURE DROP CURVES



SPRINGS

| Code | Adjustable pressure range bar |
|-----------|-------------------------------|
| 05 | 15-60 |
| 10 | 25-135 |
| 20 | 50-220 |
| 35 | 120-350 |

ORDERING CODE

WMD

50

S

Springs:

- 05
- 10
- 20
- 35

Adjustment if Required:

- Omit if not required
- Value