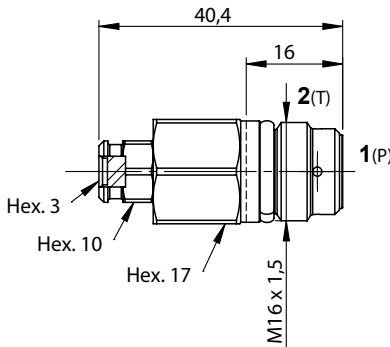
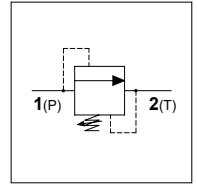


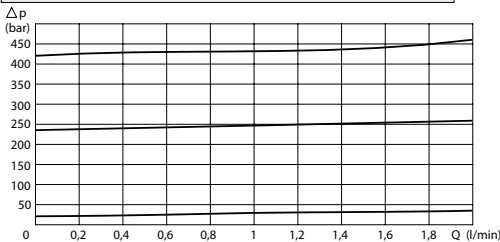
## WMD 5

### TECHNICAL DATA

- **Flow:** 2 l/min
- **Max setting pressure:** 450 bar
- **Materials:** Cartridge in Steel Zinc Plated
- **Version:** Poppet Type - Direct Acting
- **Cavity:** FW1602100
- **Installation torque:** 30-35 Nm
- **Weight:** 0,050 kg



### PRESSURE DROP CURVES



### SPRINGS

Code	Adjustable pressure range bar
<b>03</b>	1-30
<b>25</b>	100-250
<b>45</b>	250-450

### ORDERING CODE

WMD

5

S

**Springs:**

- 03
- 25
- 45

**Adjustment if Required:**

- Omit if not required
- Value