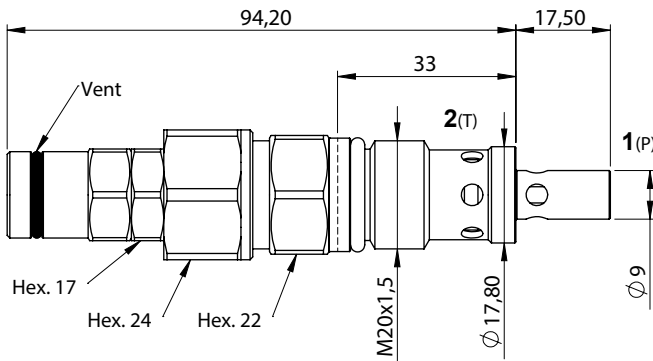
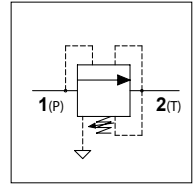


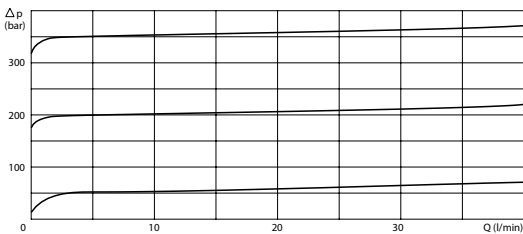
WMD 40 CC

TECHNICAL DATA

- **Flow:** 40 l/min
- **Max setting pressure:** 350 bar
- **Materials:** Cartridge in Steel Zinc Plated
- **Version:** Poppet Type - Direct Acting
- **Cavity:** FW2002100
- **Installation torque:** 35-40 Nm
- **Weight:** 0,160 kg



PRESSURE DROP CURVES



SPRINGS

Code	Adjustable pressure range bar
10	5-50
20	40-210
30	100-350

ORDERING CODE

WMD

40

CC

Springs:

- 10
- 20
- 30

Adjustment if Required:

- Omit if not required
- Value