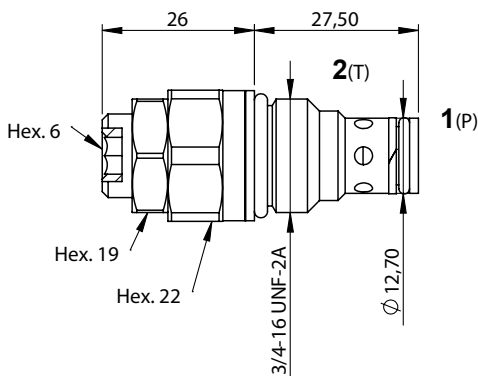
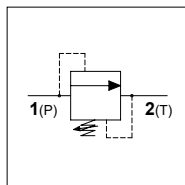


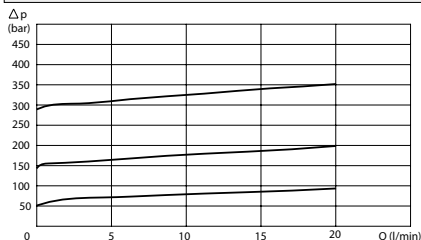
WMD 25

TECHNICAL DATA

- **Flow:** 20 l/min
- **Max setting pressure:** 350 bar
- **Materials:** Cartridge in Steel Zinc Plated
- **Version:** Poppet Type - Direct Acting
- **Cavity:** FW3402000
- **Installation torque:** 30-35 Nm
- **Weight:** 0,100 kg



PRESSURE DROP CURVES



SPRINGS

Code	Adjustable pressure range bar	Pressure increase bar/turn	Standard setting bar
05	20-70	10	20
20	50-180	25	50
35	130-350	60	130

ORDERING CODE

WMD

25

S

Springs:

- 05
- 20
- 35

Adjustment if Required:

- Omit if not required
- Value