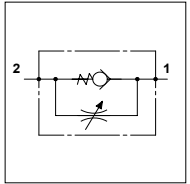


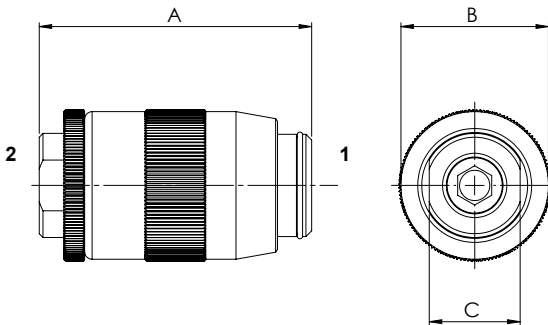
WFU M - SPFP

TECHNICAL DATA

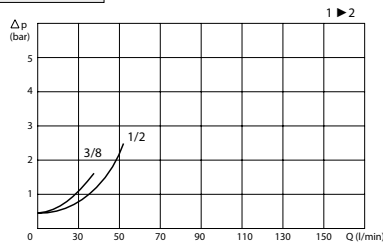
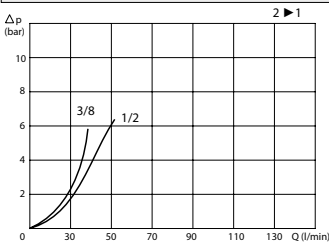
- **Flow:** See table
- **Max working pressure:** See table
- **Cracking pressure:** 0,5 bar
- **Materials:** Steel Body
- **Weight:** See table



PORTS		
1 - 2	3/8	1/2
DIMENSIONS		
A	73	83
B	40	45
C	24	30
Max Pressure (bar)	350	350
Max Flow (l/min)	40	50
Weight (kg)	0,480	0,700



PRESSURE DROP CURVES



ORDERING CODE

WFU

M

SPFP

Ports Size:

- 3/8
- 1/2