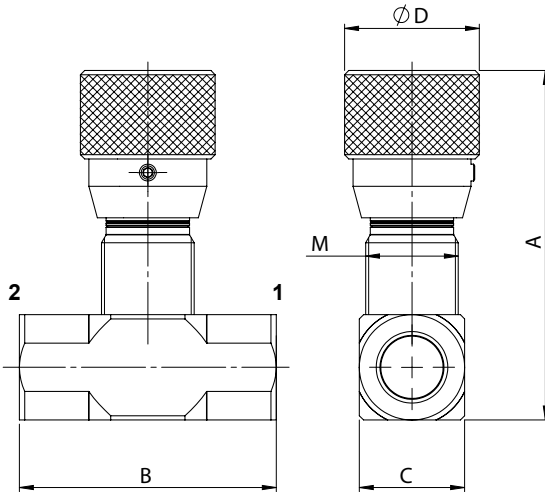
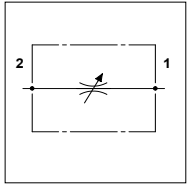


WFB

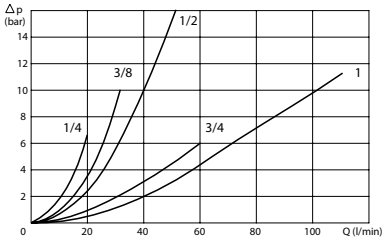
TECHNICAL DATA

- **Flow:** See Table
- **Max working pressure:** See Table
- **Materials:** Steel Body
- **Note:** Aluminium Knob
- **Weight:** See table



PORTS					
1 - 2	1/4	3/8	1/2	3/4	1
DIMENSIONS					
A	82	82	87	108	129
B	60	61	70	89	90
C	25	25	30	40	40
D	32	32	32	42	42
M	22x1,5	22x1,5	22x1,5	35x1,5	35x1,5
Max Pressure (bar)	350	350	350	320	300
Max Flow (l/min)	20	30	50	80	110
Weight (kg)	0,370	0,350	0,470	1,100	1,000

PRESSURE DROP CURVES



ORDERING CODE

WFB

Ports Size:

- 1/4
- 3/8
- 1/2
- 3/4
- 1