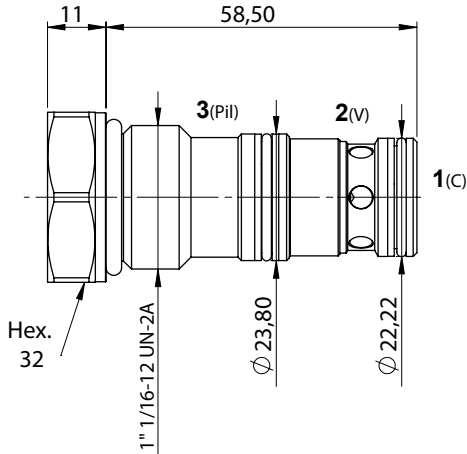
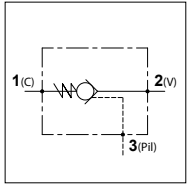


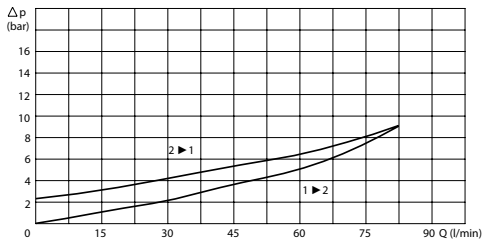
WBS CR 80

TECHNICAL DATA

- **Flow:** 80 l/min
- **Max working pressure:** 350 bar
- **Cracking Pressure:** 2,5 bar
- **Materials:** Cartridge in Steel zinc plated
- **Version:** Poppet Type - Pilot Acting
- **Cavity:** FW1160301
- **Installation torque:** 60-65 Nm
- **Pilot ratio:** 3:1
- **Weight:** 0,220 kg



PRESSURE DROP CURVES



ORDERING CODE

WBS

CR

80