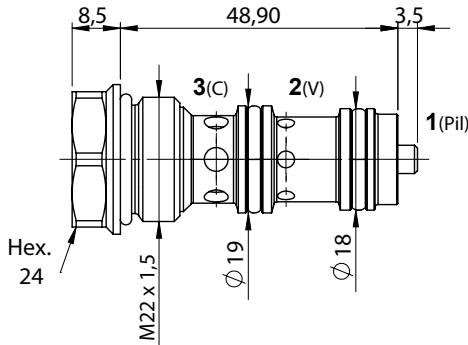
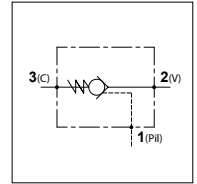


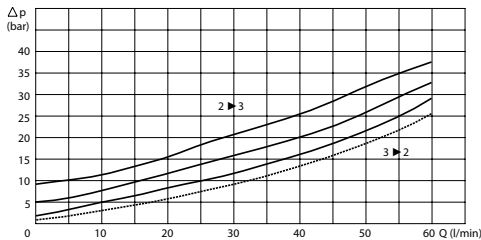
## WBS C 60 M22

### TECHNICAL DATA

- **Flow:** 60 l/min
- **Max working pressure:** 350 bar
- **Materials:** Cartridge in Steel zinc plated
- **Version:** Poppet Type - Pilot Acting
- **Cavity:** FW2203000
- **Installation torque:** 40-45 Nm
- **Pilot ratio:** 3,5:1
- **Note:** O-Ring on pilot piston
- **Weight:** 0,110 kg



### PRESSURE DROP CURVES



### SPRINGS

Code	Cracking pressure bar
Standard	2,5
<b>5</b>	5
<b>10</b>	10

### ORDERING CODE

WBS

C

60

M22



G

### Opening Pressure:

- Omit if 2,5 bar
- 5 = 5 bar
- 10 = 10 bar