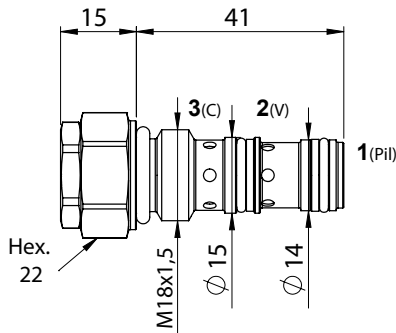
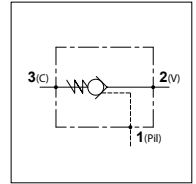


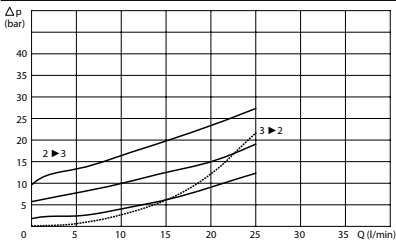
WBS C 25

TECHNICAL DATA

- **Flow:** 25 l/min
- **Max working pressure:** 350 bar
- **Materials:** Cartridge in Steel zinc plated
- **Version:** Poppet Type - Pilot Acting
- **Cavity:** FW1803101
- **Installation torque:** 30-35 Nm
- **Pilot ratio:** 3:1
- **Note:** O-Ring on pilot piston
- **Weight:** 0,060 kg



PRESSURE DROP CURVES



SPRINGS

Code	Cracking pressure bar
Standard	2,5
5	5
10	10

ORDERING CODE

WBS

C

25



G

Opening Pressure:

- Omit if 2,5 bar
- 5 = 5 bar
- 10 = 10 bar