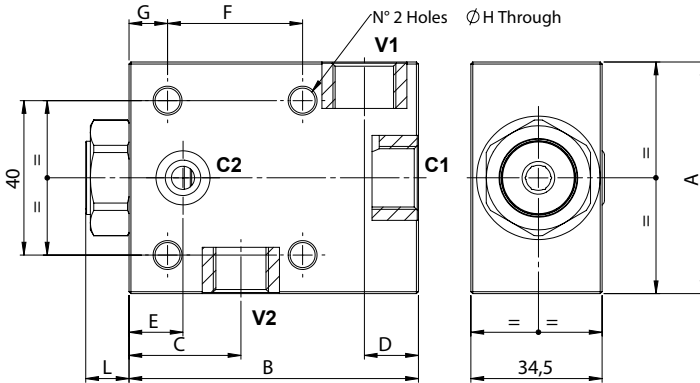
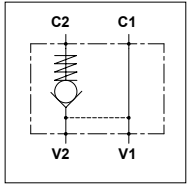


WBS - 1F

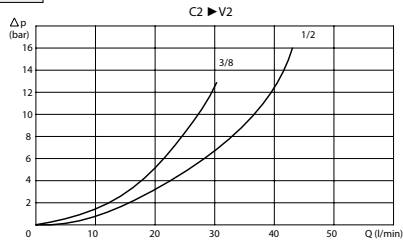
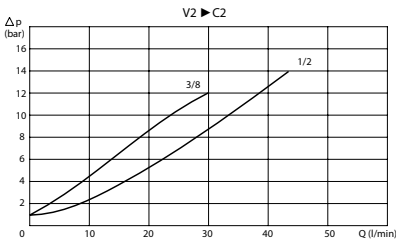
TECHNICAL DATA

- **Flow:** See table
- **Max working pressure:** 250 bar (350 bar)
- **Cracking pressure:** See table
- **Materials:** Aluminium Body (Steel body if required)
- **Pilot ratio:** See table
- **Weight:** 0,450 kg (1,040 kg)



PORTS		
C1 V1 - V2	3/8	1/2
C2	ø6	ø8
DIMENSIONS		
A	60	70
B	75	95
C	29	38
D	14	19
E	14	22,5
F	35	40
G	10	15
H	6,5	8,5
L	11	8
Pilot Ratio	7:1	4:1
Max Flow (l/min)	30	40

PRESSURE DROP CURVES



SPRINGS

Code	Cracking pressure bar
Standard	1
2,5	2,5
5	5
10 (only for 30 l/min)	10

ORDERING CODE

WBS

1F

Flow Size:
- 30 l/min
- 40 l/min

Ports Size:
- 3/8
- 1/2

Material Body:
- Omit if aluminium
- S = Steel

Cracking Pressure:
- Omit if 1 bar
- 2,5 = 2,5 bar
- 5 = 5 bar
- 10 = 10 bar

Seal on Piston:
- Omit if not required
- G = Required