

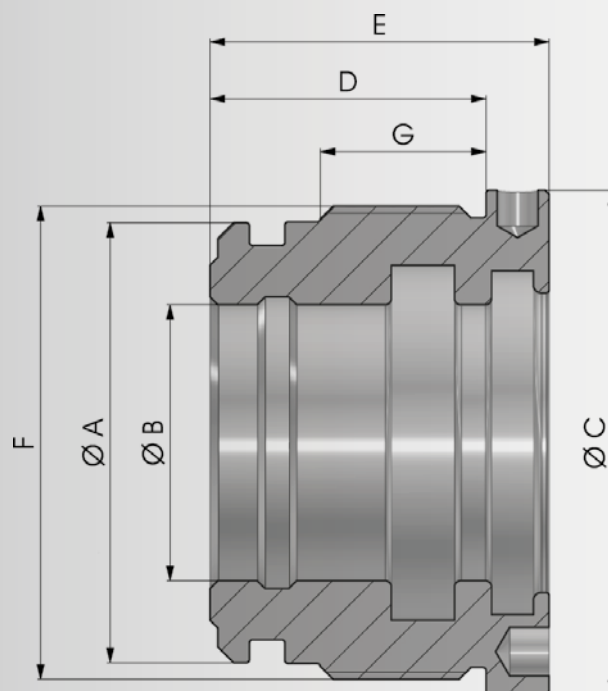
> 250 bar

> **Materiale di produzione:**

Ghisa GG 25

> **Production material :**

Cast iron GG 25



COD.	A	B	C	D	E	F	G
NBTM011510040	100	40	114	55	65	M105X2	30
NBTM011510050	100	50	114	55	65	M105X2	30
NBTM011510060	100	60	114	55	65	M105X2	30
▶ NBTM011510063	100	63	114	55	65	M105X2	30
NBTM011510070	100	70	114	55	65	M105X2	30
▶ NBTM012511045	110	45	124	60	70	M115X2	36
NBTM012511050	110	50	124	60	70	M115X2	36
▶ NBTM012511060	110	60	124	60	70	M115X2	36
▶ NBTM012511070	110	70	124	60	70	M115X2	36
▶ NBTM014012050	120	50	139	60	70	M125X2	36
▶ NBTM014012060	120	60	139	60	70	M125X2	36
▶ NBTM014012070	120	70	139	60	70	M125X2	36
▶ NBTM014012080	120	80	139	60	70	M125X2	36
▶ NBTM014512560	125	60	144	65	75	M130X2	41
▶ NBTM014512570	125	70	144	65	75	M130X2	41
▶ NBTM014512580	125	80	144	65	75	M130X2	41
▶ NBTM014512590	125	90	144	65	75	M130X2	41
▶ NBTM016014070	140	70	159	65	75	M145X2	41
▶ NBTM016014080	140	80	159	65	75	M145X2	41
▶ NBTM017015070	150	70	169	70	82	M155X2	46
▶ NBTM017015080	150	80	169	70	82	M155X2	46
▶ NBTM018016080	160	80	179	73	85	M165X2	49
▶ NBTM018016090	160	90	179	73	85	M165X2	49

▶ a richiesta su lotto minimo / on request on a minimum batch