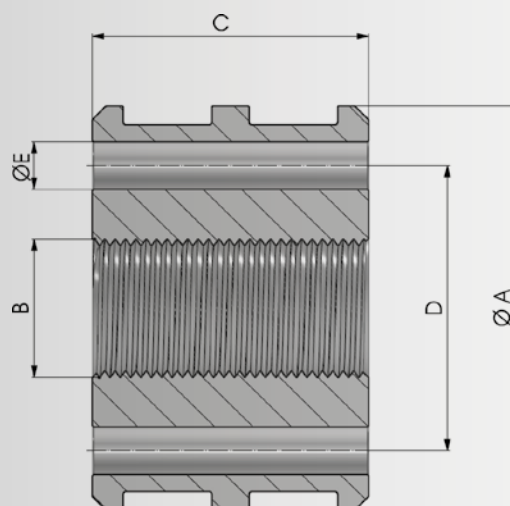


> **Materiale di produzione:**

Acciaio 11SMn30 - C45

> **Production material :**

Steel 11SMn30 - 080M46



COD.	A	B	C	D	E
NBPFT0301215	30	M12X1.5	35	20	3.5X3
NBPFT0351415	35	M14X1.5	35	23	4.5X3
NBPFT0401415	40	M14X1.5	35	27	4.5X3
NBPFT0451615	45	M16X1.5	35	31	4.5X3
NBPFT0502015	50	M20X1.5	35	34	6X3
▶ NBPFT0552015	55	M20X1.5	40	38	6X3
NBPFT0602015	60	M20X1.5	40	42	7X3
NBPFT0702420	70	M24X2	45	50	8.5X3
▶ NBPFT0802720	80	M27X2	45	60	8.5X3
▶ NBPFT0852720	85	M27X2	45	65	8.5X3
▶ NBPFT0903320	90	M33X2	50	68	7.5X5
▶ NBPFT1003320	100	M33X2	50	76	9X5
▶ NBPFT1103930	110	M39X3	55	86	9X5
▶ NBPFT1203930	120	M39X3	55	93	11X5

▶ a richiesta su lotto minimo / on request on a minimum batch