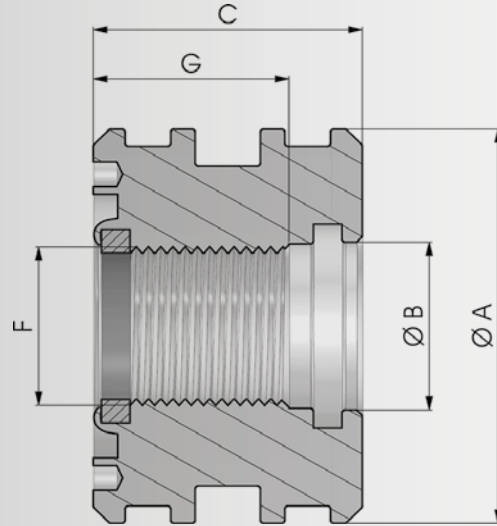


> 400 bar

> **Materiale di produzione:**
Acciaio 11SMn30

> **Production material :**
Steel 11SMn30

• Patent No. 0000279147



COD.	A	B	C	F	G	Nm
▶ NBPFPDH04016B	40	17	33	M16X1.5	24	40-50
▶ NBPFPDH05020B	50	21	33	M20X1.5	24	50-60
▶ NBPFPDH06024B	60	25	38	M24X1.5	28	60-75
▶ NBPFPDH06324B	63	25	38	M24X1.5	28	60-75
▶ NBPFPDH06524B	65	25	38	M24X1.5	28	60-75
▶ NBPFPDH07024B	70	25	38	M24X1.5	28	60-75
▶ NBPFPDH08030B	80	33	42	M30X1.5	30	100-140
▶ NBPFPDH09033B	90	35	45	M33X1.5	33	130-170
▶ NBPFPDH10033B	100	35	45	M33X1.5	33	130-170

▶ a richiesta su lotto minimo / on request on a minimum batch