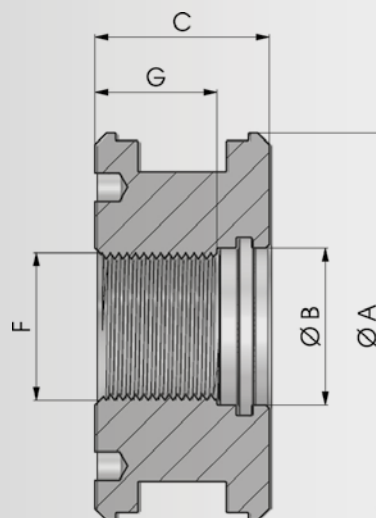


> 250 bar

> **Materiale di produzione:**
Acciaio 11SMn30 - C45

> **Production material:**
Steel 11SMn30 - 080M46



COD.	A	B	C	F	G
NBPF00251015	25	11	25	M10X1.5	17.5
NBPF00301215	30	13	25	M12X1.5	17.5
NBPF00321215	32	13	33	M12X1.5	25.5
NBPF00351415	35	17	33	M14X1.5	23
NBPF00401615	40	17	40	M16X1.5	30
NBPF00451615	45	17	40	M16X1.5	30
NBPF00502015	50	21	45	M20X1.5	28
NBPF00602420	60	25	45	M24X2	30
NBPF00632420	63	25	45	M24X2	30
NBPF00652420	65	25	45	M24X2	30
NBPF00702420	70	25	45	M24X2	30
NBPF00752720	75	28	45	M27X2	30
NBPF00802720	80	28	45	M27X2	30
NBPF00803020	80	33	50	M30X2	30
NBPF00903320	90	35	50	M33X2	35
NBPF01003320	100	35	50	M33X2	35
NBPF01103930	110	42	50	M39X3	35
NBPF01204230	120	45	50	M42X3	35
NBPF01254230	125	45	50	M42X3	35
▶ NBPF01304230	130	45	58	M42X3	35
NBPF01404830	140	51	58	M48X3	40
▶ NBPF01504830	150	51	58	M48X3	40
▶ NBPF01505230	150	54	58	M52X3	40
NBPF01605230	160	54	58	M52X3	40

▶ a richiesta su lotto minimo / on request on a minimum batch