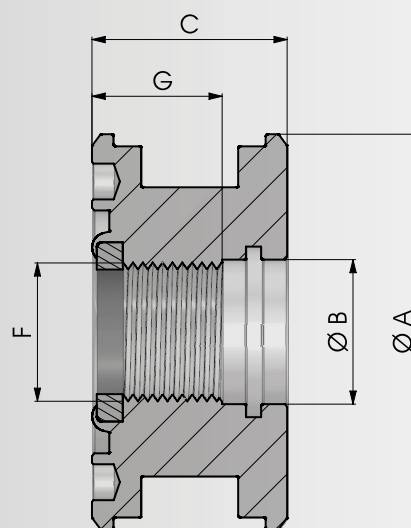


> 250 bar

> **Materiale di produzione:**
Acciaio 11SMn30 - C45

> **Production material:**
Steel 11SMn30 - 080M46



• Patent No. 0000279147

COD.	A	B	C	F	G	Nm
NBPF0351415B	35	17	33	M14X1.5	23	35-45
NBPF0401615B	40	17	40	M16X1.5	30	40-50
▶ NBPF0451615B	45	17	40	M16X1.5	30	40-50
NBPF0502015B	50	21	40	M20X1.5	28	50-60
NBPF0602420B	60	25	45	M24X2	30	60-75
NBPF0632420B	63	25	45	M24X2	30	60-75
NBPF0652420B	65	25	45	M24X2	30	60-75
NBPF0702420B	70	25	45	M24X2	30	60-75
NBPF0752720B	75	28	45	M27X2	30	80-100
NBPF0802720B	80	28	45	M27X2	30	80-100
NBPF0803020B	80	33	45	M30X2	30	100-140
NBPF0903320B	90	35	50	M33X2	35	130-170
NBPF1003320B	100	35	50	M33X2	35	130-170
NBPF1103920B	110	42	50	M39X2	35	170-200
NBPF1204220B	120	45	50	M42X2	35	175-210
NBPF1254220B	125	45	50	M42X2	35	175-210
▶ NBPF1304220B	130	45	50	M42X2	35	175-210
▶ NBPF1404820B	140	51	58	M48X2	40	200-240
▶ NBPF1504820B	150	51	58	M48X2	40	200-240
▶ NBPF1605220B	160	54	58	M52X2	43	210-250

▶ a richiesta su lotto minimo / on request on a minimum batch