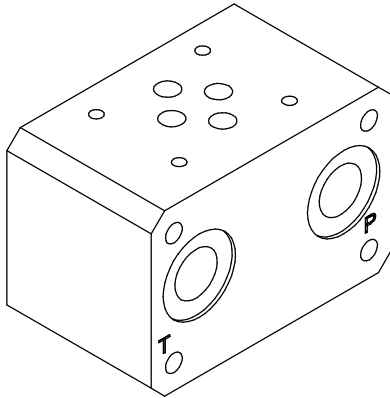
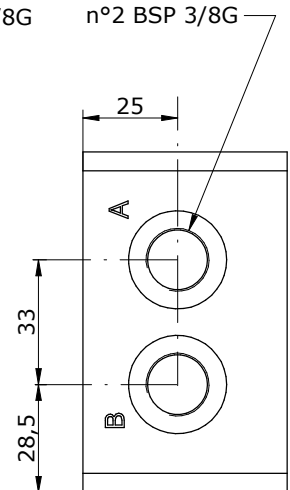
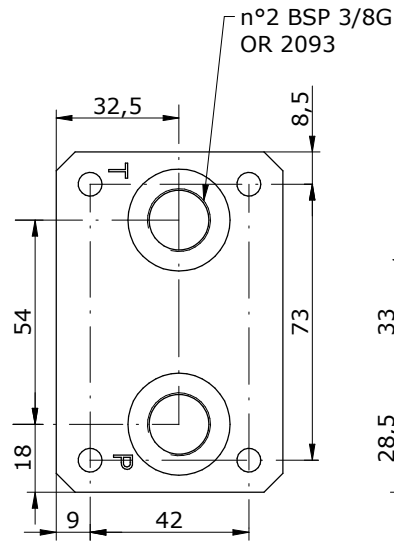
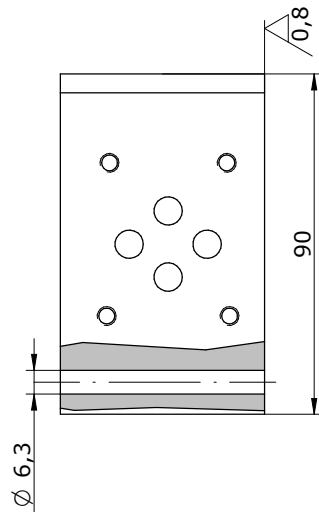
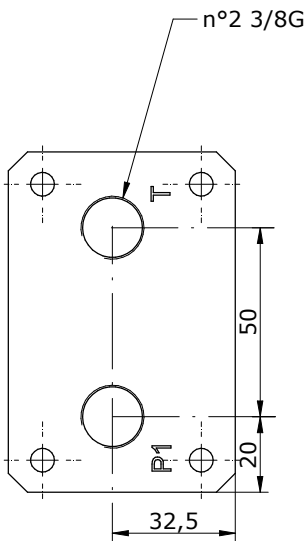
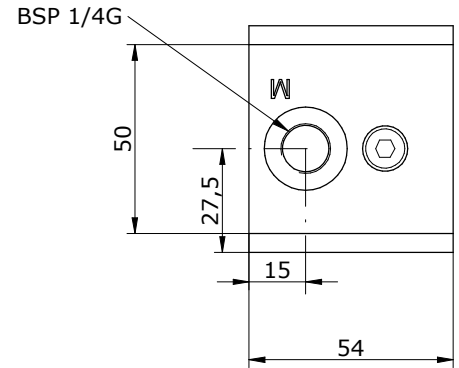
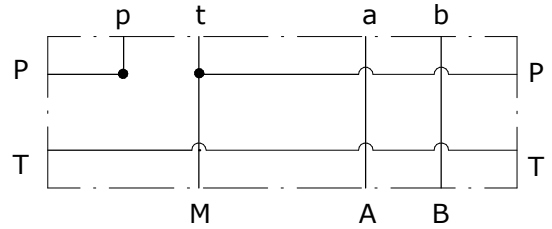


**BASE MODULARE CETOP 3 A-B POST. 3/8" BSP PER COLLEGAMENTO
IN SERIE
CETOP 3 MODULAR PLATE WITH A-B REAR PORTS 3/8" BSP FOR
SERIES CIRCUIT**

**OLEODINAMICA
2mp**



Schema idraulico
Hydraulic diagram



E_ 610 - 20 - 38

**S = STEEL
A = ALUMINIUM**