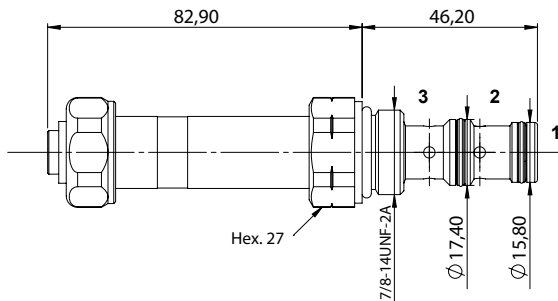
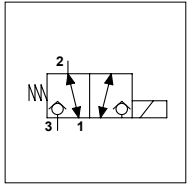


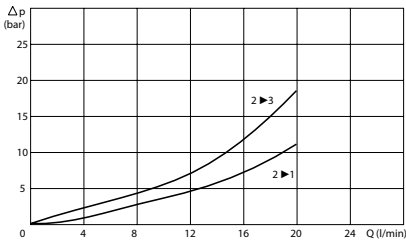
WTWT S10 02

TECHNICAL DATA

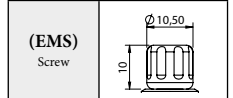
- **Flow:** 20 l/min
- **Max working pressure:** 210 bar
- **Materials:** Cartridge in Steel zinc plated
- **Version:** Spool Type - Direct Acting
- **Cavity:** FW7803000
- **Installation torque:** 40 Nm
- **Weight:** 0,270 kg



PRESSURE DROP CURVES



MANUAL OVERRIDE



ORDERING CODE

WTWT

S10

02



Manual Override:
- Omit if not required
- EMS = Screw