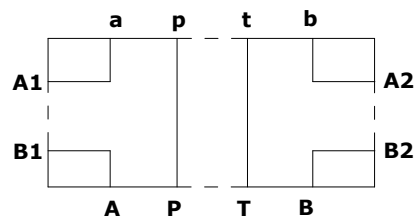
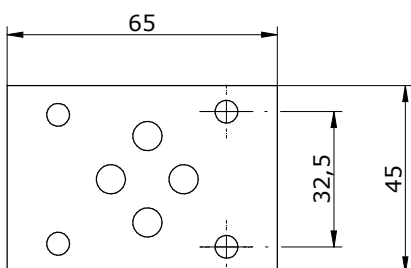
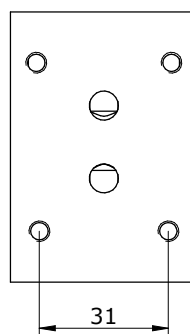
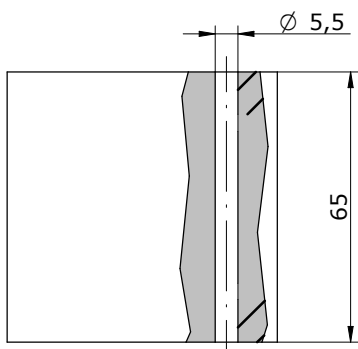
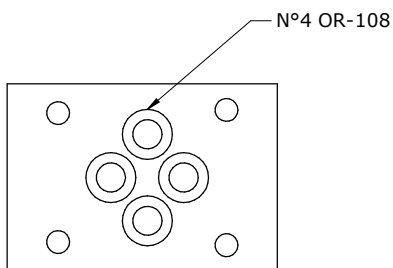


Schema idraulico
 Hydraulic diagram



O-Ring side



E_ 610 - 17 - 0

S = STEEL
A = ALUMINIUM