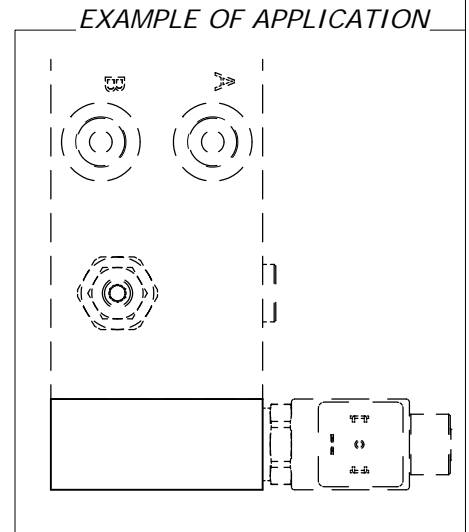
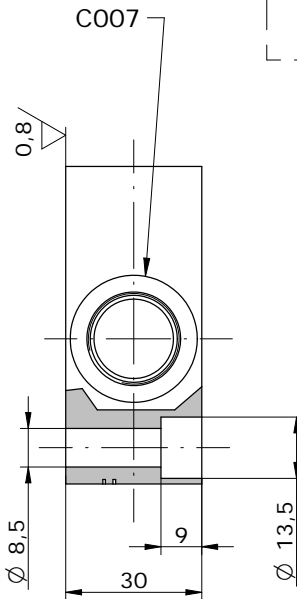
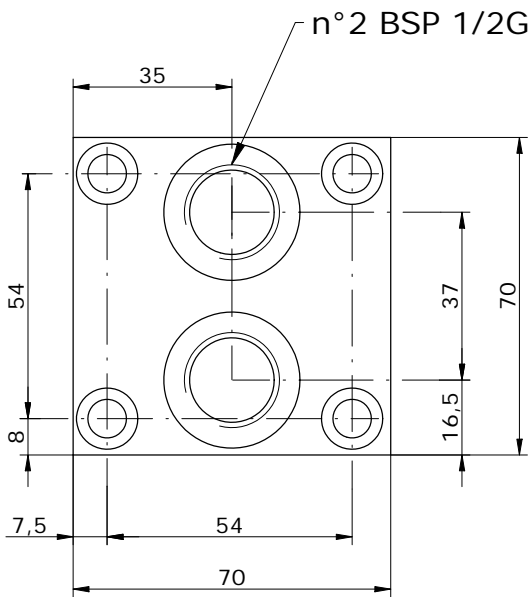
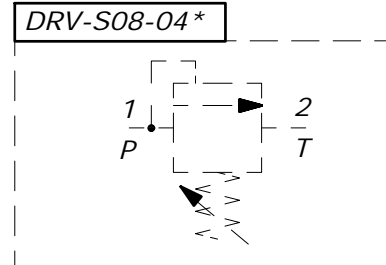
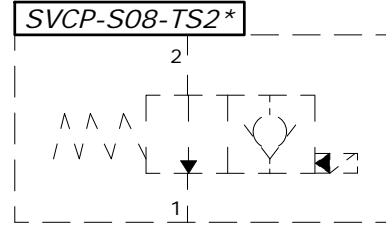


Schema idraulico  
Hydraulic diagram



TIPI DI REGOLAZIONE PER V. MAX  
REGULATION TYPE FOR RELIEF VALVE

	H	VITE CON CHIAVE ESAGONALE (standard) HEXAGONAL HEAD SCREW
	I	INVOLABILE NON ADJUSTABLE

Valvole vendute separatamente  
Valves sold separately

**DISPONIBILE PER/  
AVAILABLE FOR:**

E\_ 06-12

E\_ 06-21

**E\_ 06 - 17 - 12 -**

S = STEEL  
A = ALUMINIUM

0 = VALVE READY  
1 = WITH VENTING VALVE  
2 = WITH RELIEF VALVE

000 = WITHOUT V.V.  
TS2 = NORMALLY OPEN  
DRV = RELIEF VALVE

SEALS  
N = BUNA  
V = VITON

0 = WITHOUT R.V.  
1 = 15-60 bar  
2 = 25-135 bar  
3 = 50-220 bar  
4 = 120-350 bar

VENTING VALVE  
0 = NO MANUAL OVERRIDE  
3 = PUSH PIN  
4 = PUSH BOTTON  
5 = HEX. ALLEN  
RELIEF VALVE  
0 = WITHOUT R.V.  
H = HEX. HEAD SCREW  
I = NOT ADJUSTABLE

CONNECTOR TYPE  
0 = WITHOUT COIL  
C = CAVI / LEADS  
D = DIN 43650  
G = DEUTSCH DT04-2P  
A = AMP JUNIOR

TENSIONE / VOLTAGE  
000 = WITHOUT COIL  
D12 = 12 VDC  
D24 = 24 VDC  
220 = 220 RAC

\*see **CARTRIDGE VALVES** datasheets

Via Nicolò Copernico 12/c-d  
29027 Casoli Di Gariga - Podenzano (PC) Italy

www.oleodinamica2mp.it  
Tel +39 0523 523231  
Fax +39 0523 524509